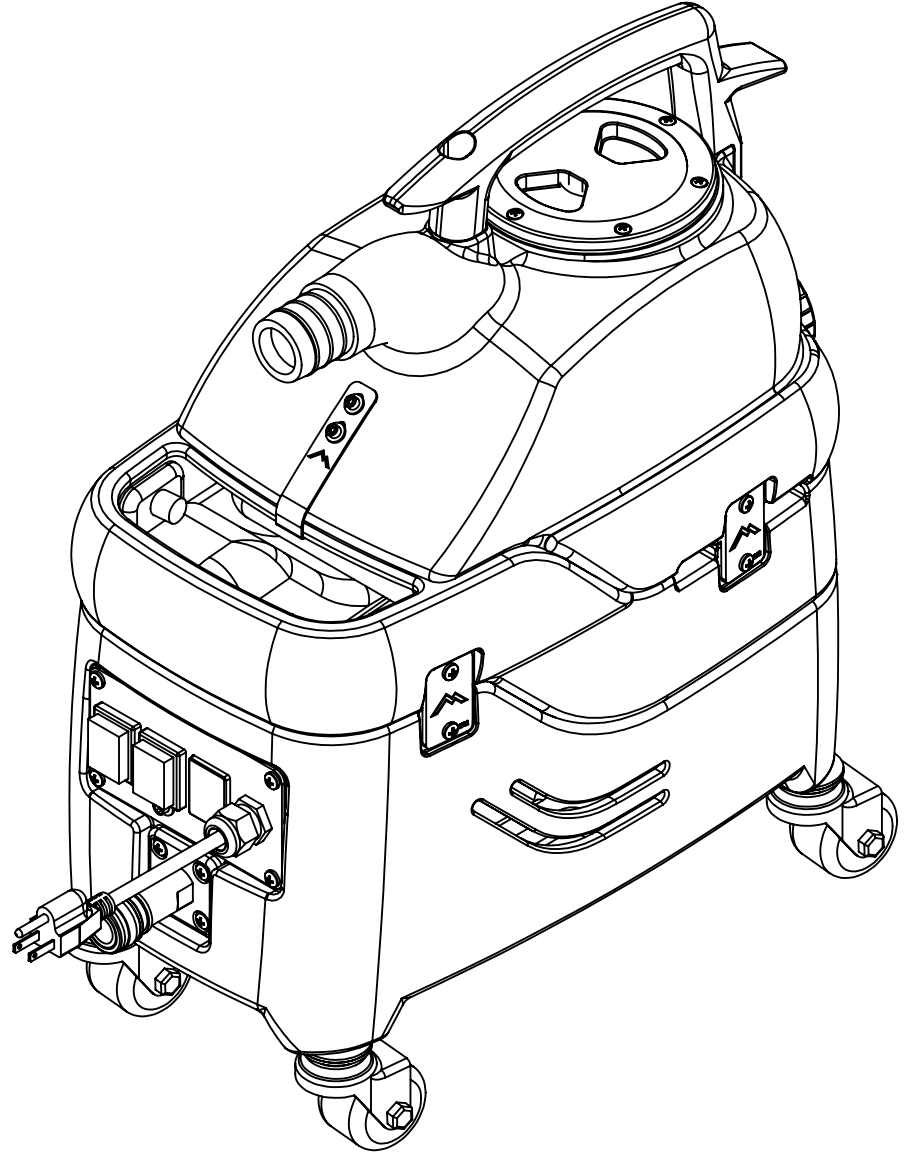


ITEM NO.	PART NO.	DESCRIPTION	QTY.
1	H246	screw, 8-32 x 3/8" SHCS, alloy, Black	2
2	H612	washer, 8 flat, black ox	2
3	H451	latch, S-300H	1
4	H770	bolt, 1/4-20 x 1/2" serrated hex flange, zinc	2
5	H611	handle, S-300H, black	1
6	H155	screw, #8 x 5/8", 18-8 phil pan, s/s	6
7	G030	lid, vac tank, 3.5", clear	1
8	G058	vac tank deflector	1
9	G217	filter, foam, 1.33" x .50"	1
10	G216	filter, screen mesh, 1.33" x 8 mesh	1
11	P639	adapter, pvc, 1" fslip x 3/4" mpt	1
12	H097	washer, 1" ID x 1.5" OD x .075", flat, s/s	2
13	P610	vac tank, S-300H	1
14	G036	cap, 2.5" threaded, tethered	1
15	P640	adapter, pvc, 3/4" fslip x 3/4" fpt	1
16	G004	gasket, vacuum motor	2
17	C316A	vac motor, 2 stage, 230V, peripheral	1
18	H404	nut, hex, 3/8" - 16	4
19	H327	washer, 3/8" lock, s/s	4
20	H384	washer, 3/8 flat, s/s	4
21	H299	washer, 11/16" id x 1-1/2" od x .075, s/s	8
22	H637	caster, swivel, stem, 2", w/out lock	4
23	H273	nut, kep, #10-32 zinc	8
24	H484	plate, mounting, QD	1
25	H256	screw, 10-32 x 3/4" phil pan head	6
26	H221	nut, lock, 1/2" steel, electrical	1
27	H289	washer, 10 flat, s/s	1
28	H389	screw, 10-32 x 1/2" SHCS, alloy	1
29	H220	fitting, strain relief, cord	1
30	E533	power cord, male end, blue lit, 25', 16/3, sjtw solid jacket	1
31	P967A	plug, switch	1
32	E515	switch, rocker, 2 position	2
33	H029	screw, plastite, 10 x 1/2", s/s	4
34	H310	plate, switch, MyteeLite, 3 hole	1
35	B102	quick disconnect, 1/4" fqd x 1/4" fpt	1
36	B166	fitting, brass, 1/4" mpt x 1/4" push-in	2
37	P612	base, S-300H	1
38	PH657-4	tubing, 1/4", nylon, blk	1
39	B140	connector, 1/4" push-in x 1/8" mpt	2
40	C309	pump, 55psi, solenoid, 230V, 50hz	1
41	H250	bracket, set 55 psi pump	2
42	B119	filter, strainer, 1/4"	1
43	B107	nipple, hex, 1/4" mpt x 1/4" mpt	1
44	H212	flat washer, 9/16" ID x 1 1/16" OD, AN960-C916	3
45	P611	sol tank, S-300H	1
46	B207	elbow, brass, 90 deg, 1/4" fpt x 1/4" fpt	1
47	PH657-14		1
48	H230	screw, 10-32 x 1/2" phil pan head, s/s	10
49	H312	plate, connecting, MyteeLite	5

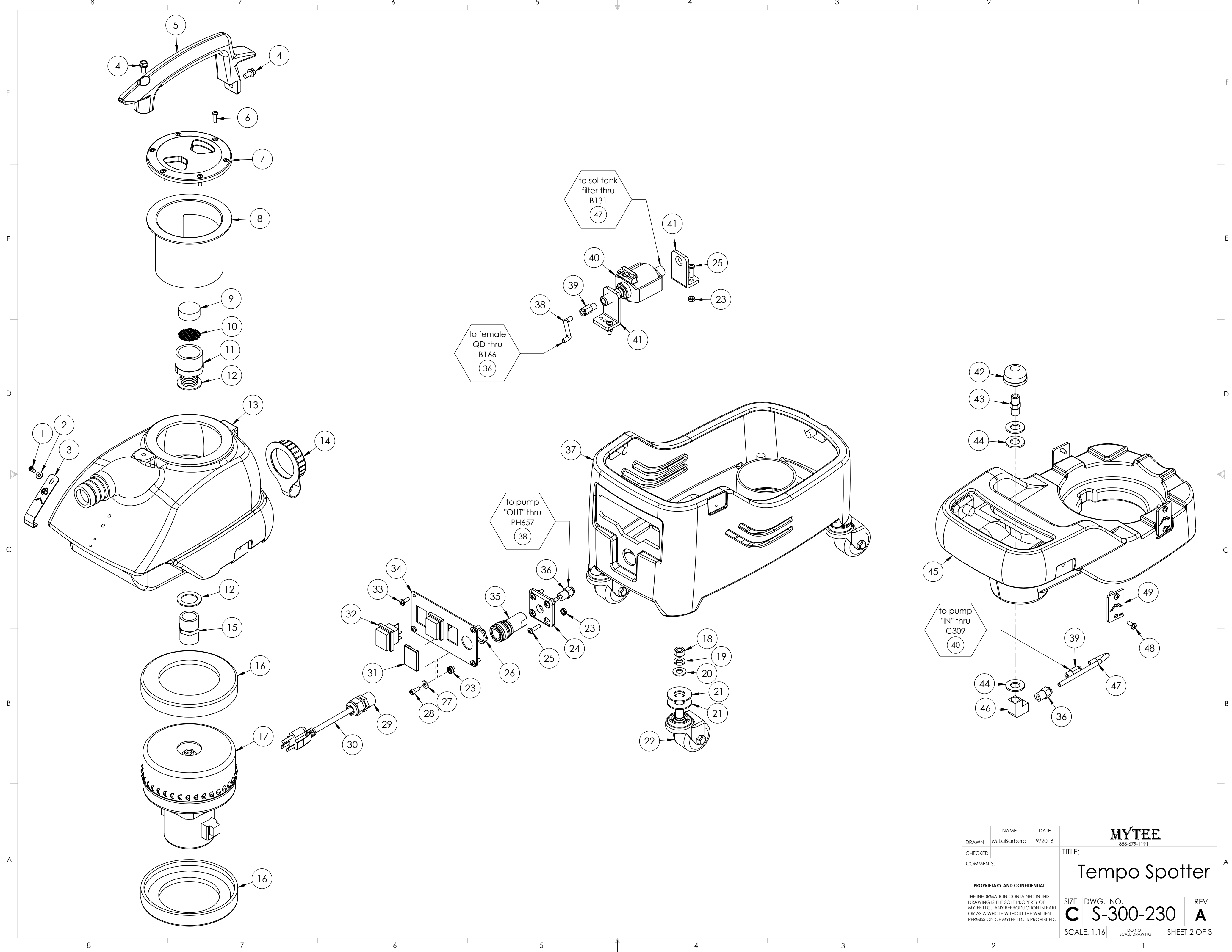
REVISIONS			
REV.	DESCRIPTION	DATE	APPROVED
OD	ORIGINAL DRAFT	2/2016	JFL
A	UPDATED PLUMBING	11/14/2016	ML



**ITEMS NOT SHOWN**

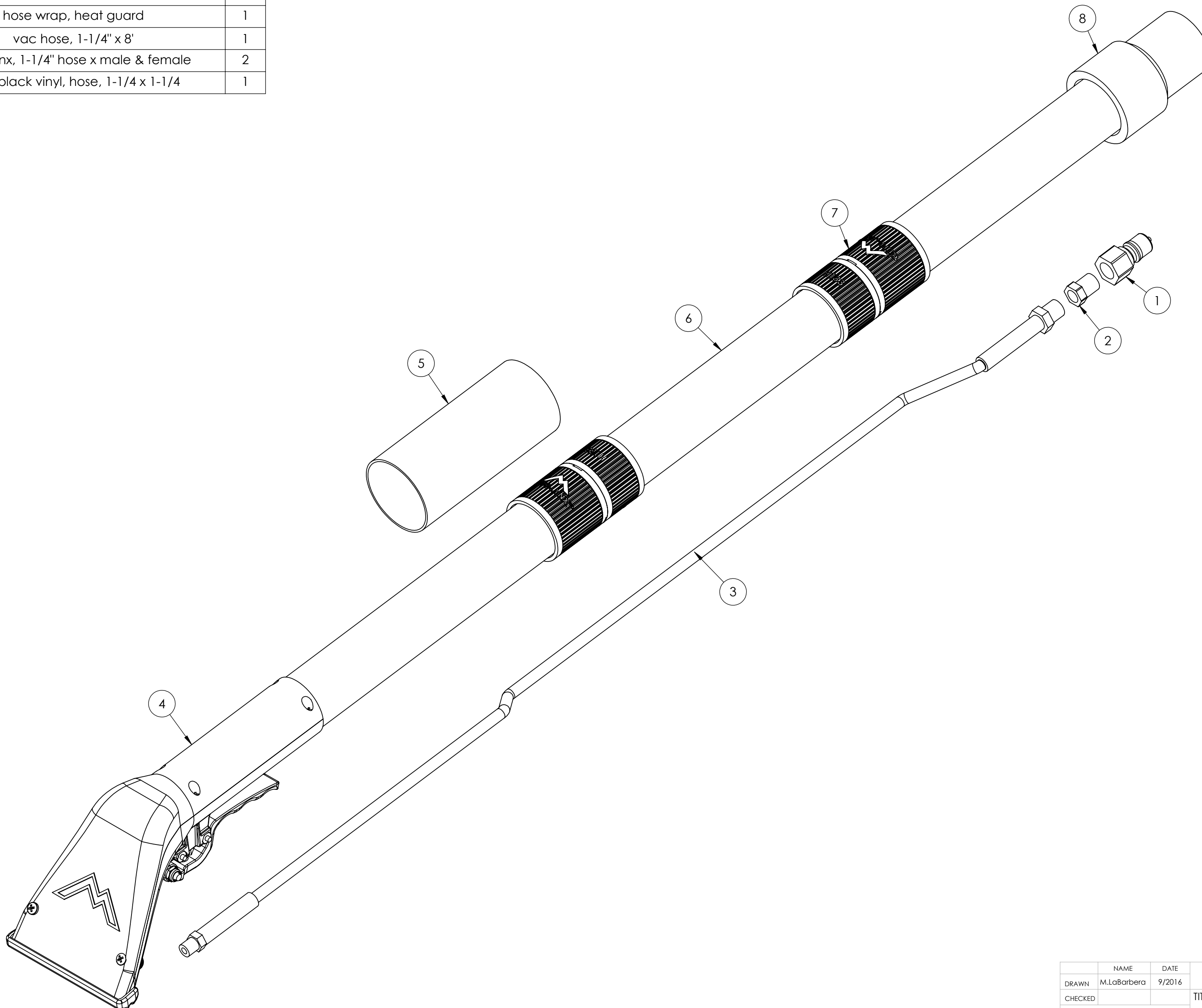
PART NO.	DESCRIPTION	QTY.
E395	harness, electrical, S-300	1

NAME	DATE	<b>MYTEE</b> 858-679-1191
DRAWN M.LaBarbera	9/2016	
CHECKED		TITLE:
COMMENTS:		<b>Tempo Spotter</b>
<b>PROPRIETARY AND CONFIDENTIAL</b> THE INFORMATION CONTAINED IN THIS DRAWING IS THE SOLE PROPERTY OF MYTEE LLC. ANY REPRODUCTION IN PART OR AS A WHOLE WITHOUT THE WRITTEN PERMISSION OF MYTEE LLC IS PROHIBITED.		SIZE DWG. NO. REV <b>C S-300-230 A</b>
SCALE: 1:16		DO NOT SCALE DRAWING SHEET 1 OF 3



	NAME	DATE	<b>MYTEE</b> 858-679-1191		
DRAWN	M.LaBarbera	9/2016			
CHECKED			TITLE: <b>Tempo Spotter</b>		
COMMENTS:					
<small>PROPRIETARY AND CONFIDENTIAL</small> <small>THE INFORMATION CONTAINED IN THIS DRAWING IS THE SOLE PROPERTY OF MYTEE LLC. ANY REPRODUCTION IN PART OR AS A WHOLE WITHOUT THE WRITTEN PERMISSION OF MYTEE LLC IS PROHIBITED.</small>			SIZE	DWG. NO.	REV
			<b>C</b>	<b>S-300-230</b>	<b>A</b>
SCALE: 1:16			DO NOT SCALE DRAWING	SHEET 2 OF 3	

ITEM NO.	PART NO.	DESCRIPTION	QTY.
1	B101	quick disconnect, 1/4" mqd x 1/4" fpt	1
2	B104	bushing, brass, 1/4" mpt x 1/8" fpt	1
3	AH135	sol hose, 1/9" x 97", (OAL), m	1
4	8400P	Air Lite	1
5	G079	hose wrap, heat guard	1
6	H360	vac hose, 1-1/4" x 8'	1
7	H133	Cuff-Lynx, 1-1/4" hose x male & female	2
8	H943	cuff, black vinyl, hose, 1-1/4 x 1-1/4	1



	NAME	DATE	<b>MYTEE</b> 858-679-1191		
DRAWN	M.LaBarbera	9/2016			
CHECKED			TITLE: <b>Tempo Spotter</b>		
COMMENTS:					
<b>PROPRIETARY AND CONFIDENTIAL</b> <small>THE INFORMATION CONTAINED IN THIS DRAWING IS THE SOLE PROPERTY OF MYTEE LLC. ANY REPRODUCTION IN PART OR AS A WHOLE WITHOUT THE WRITTEN PERMISSION OF MYTEE LLC IS PROHIBITED.</small>			SIZE	DWG. NO.	REV
			<b>C</b>	<b>S-300-230</b>	<b>A</b>
SCALE: 1:16			DO NOT SCALE DRAWING	SHEET 3 OF 3	